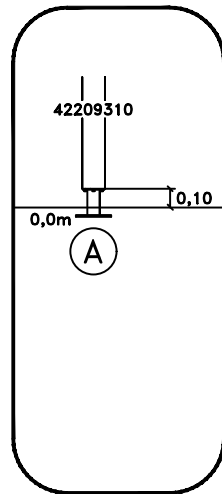
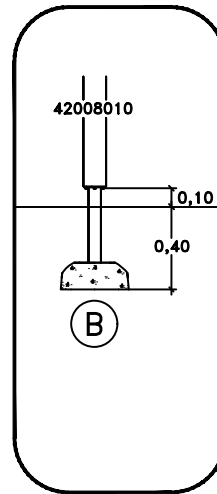


**260329**  
**422213**  
**423213**  
**424213**  
**426200**  
**448000**  
**42008010**  
**42060310**  
**42070310**  
**42074114**  
**42077010**  
**42270310**  
**42277010**  
**42470310**  
**42477010**  
**MA420994**  
**MA426121**  
**MASW37573**  
**MASW39775**  
**MASW42193**

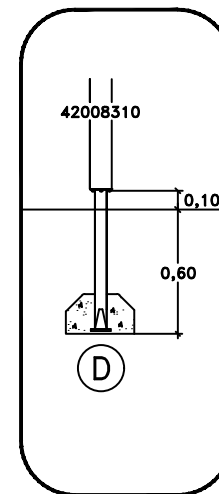
**42008010**



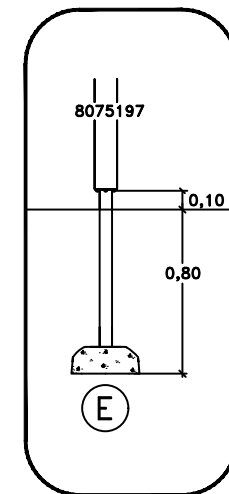
**OM**  
**Above Ground**  
 8097089  
 8081486



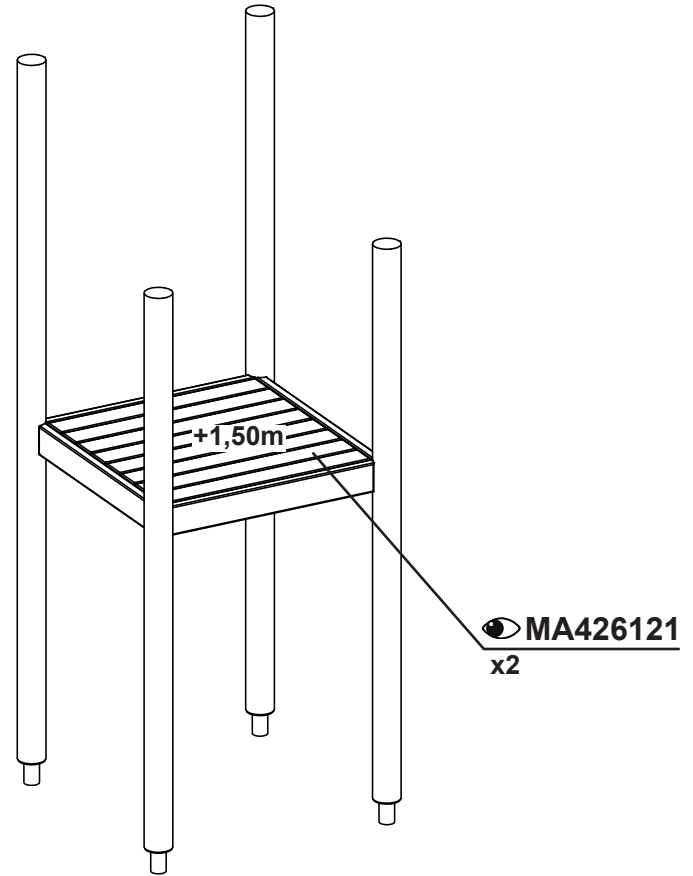
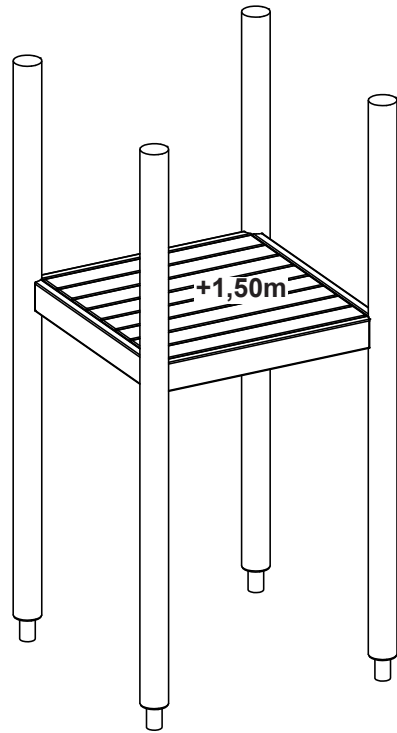
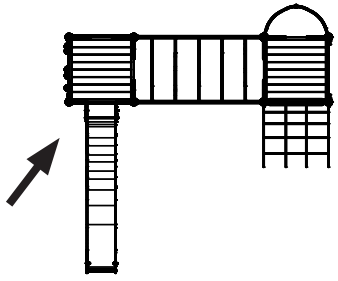
**SF**  
**Sunken Foundation**  
 8061746

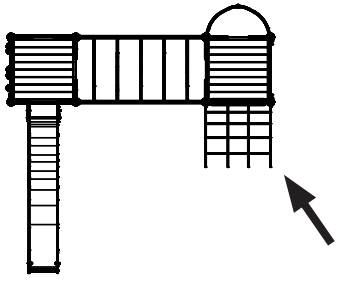


**CC**  
**Cast In Place**  
 8063249



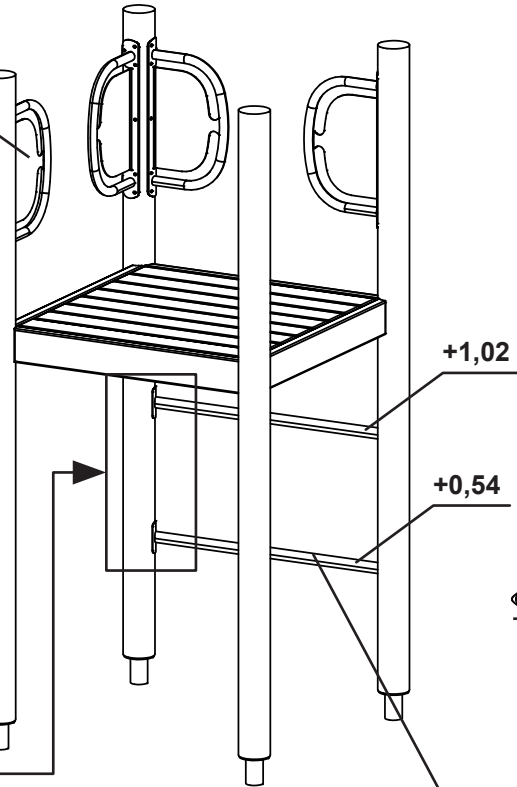
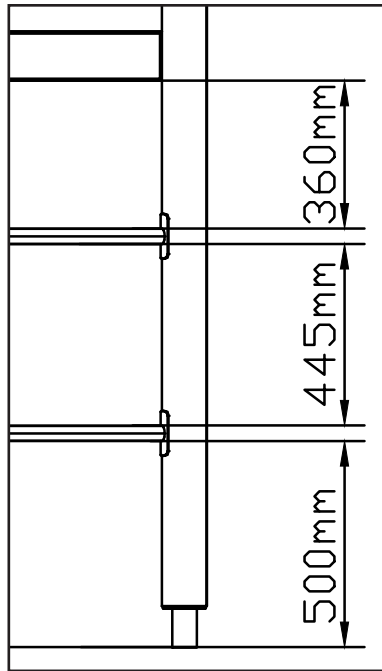
**BM**  
**Loosefill**  
 8073449





MA420994

x6



+1,02

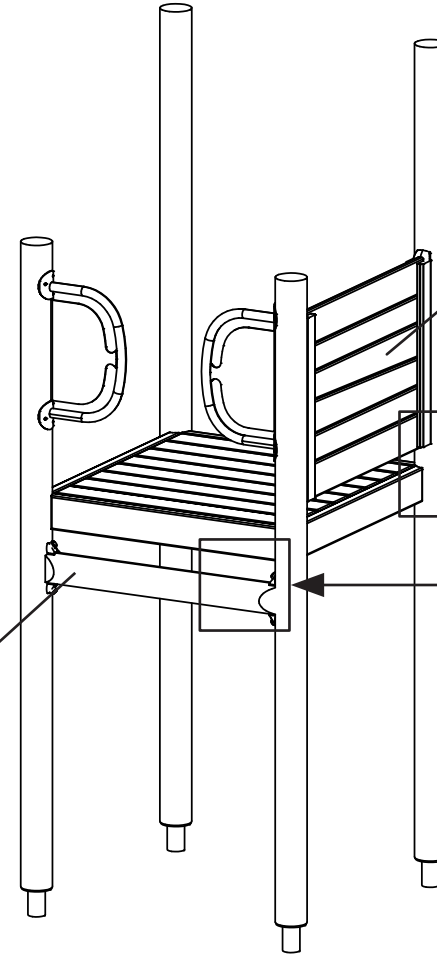
+0,54

42060310

L=0,89m  
+1,30m

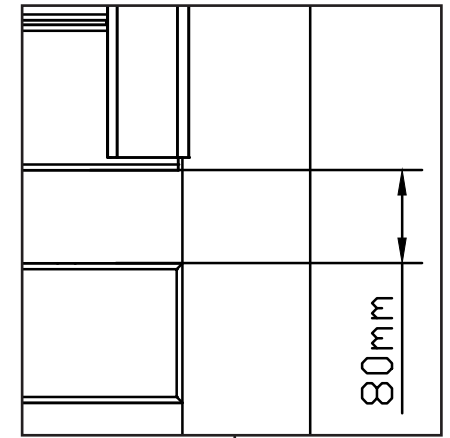
MASW37573

x2

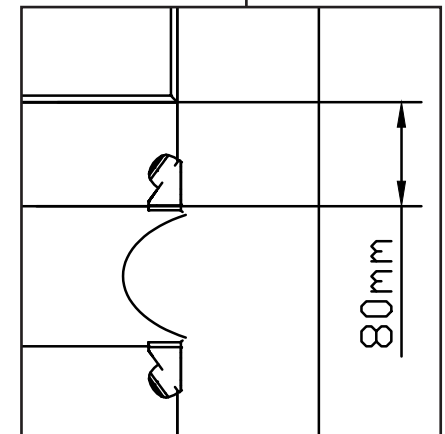


426200

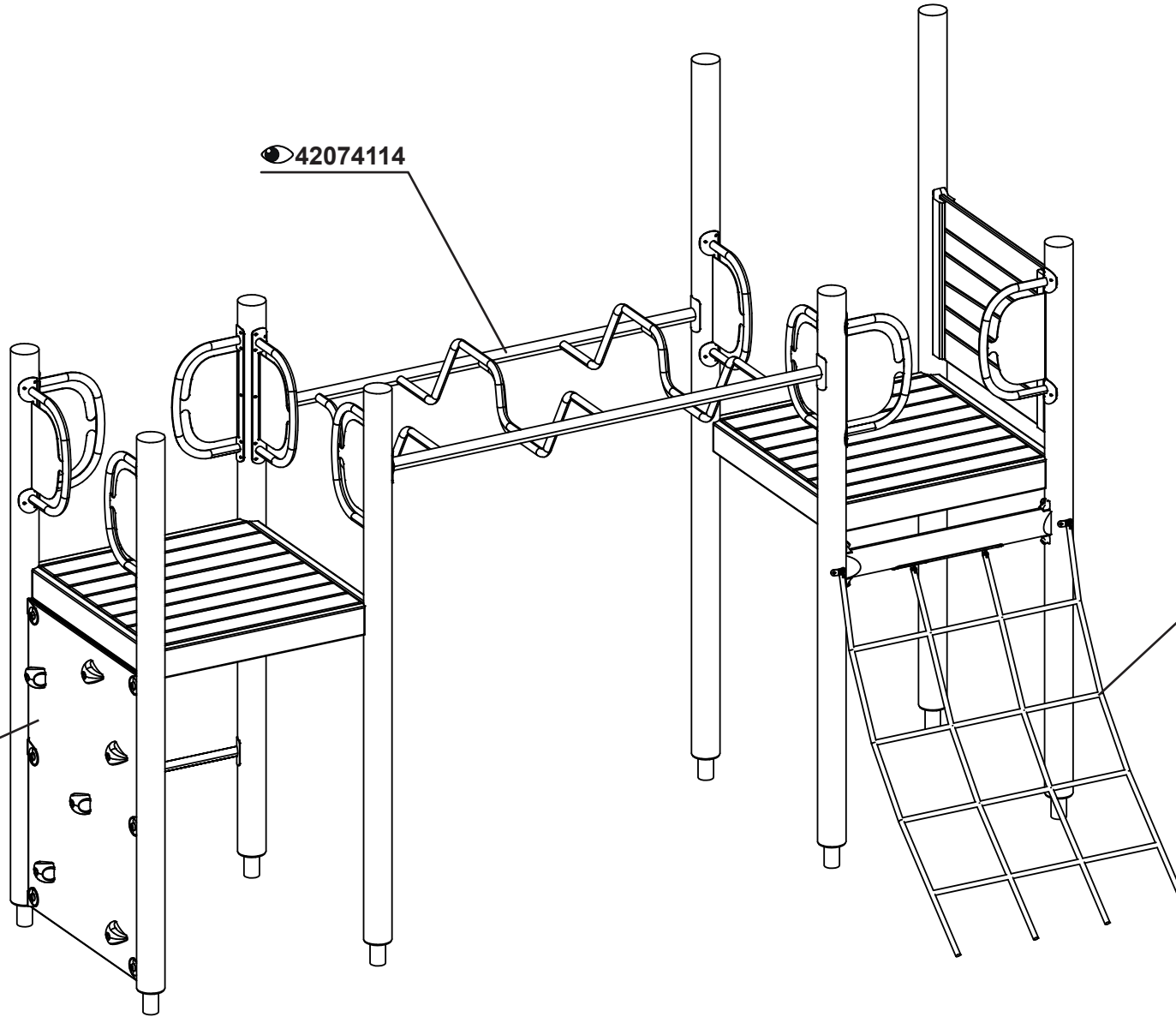
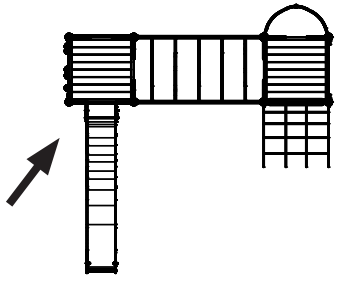
8047248



80mm



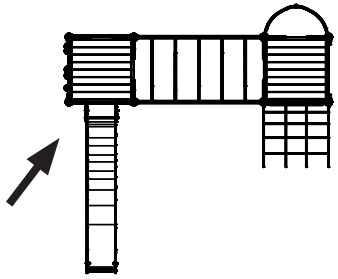
80mm



● **MASW42193**  
0,89m x 1,28m

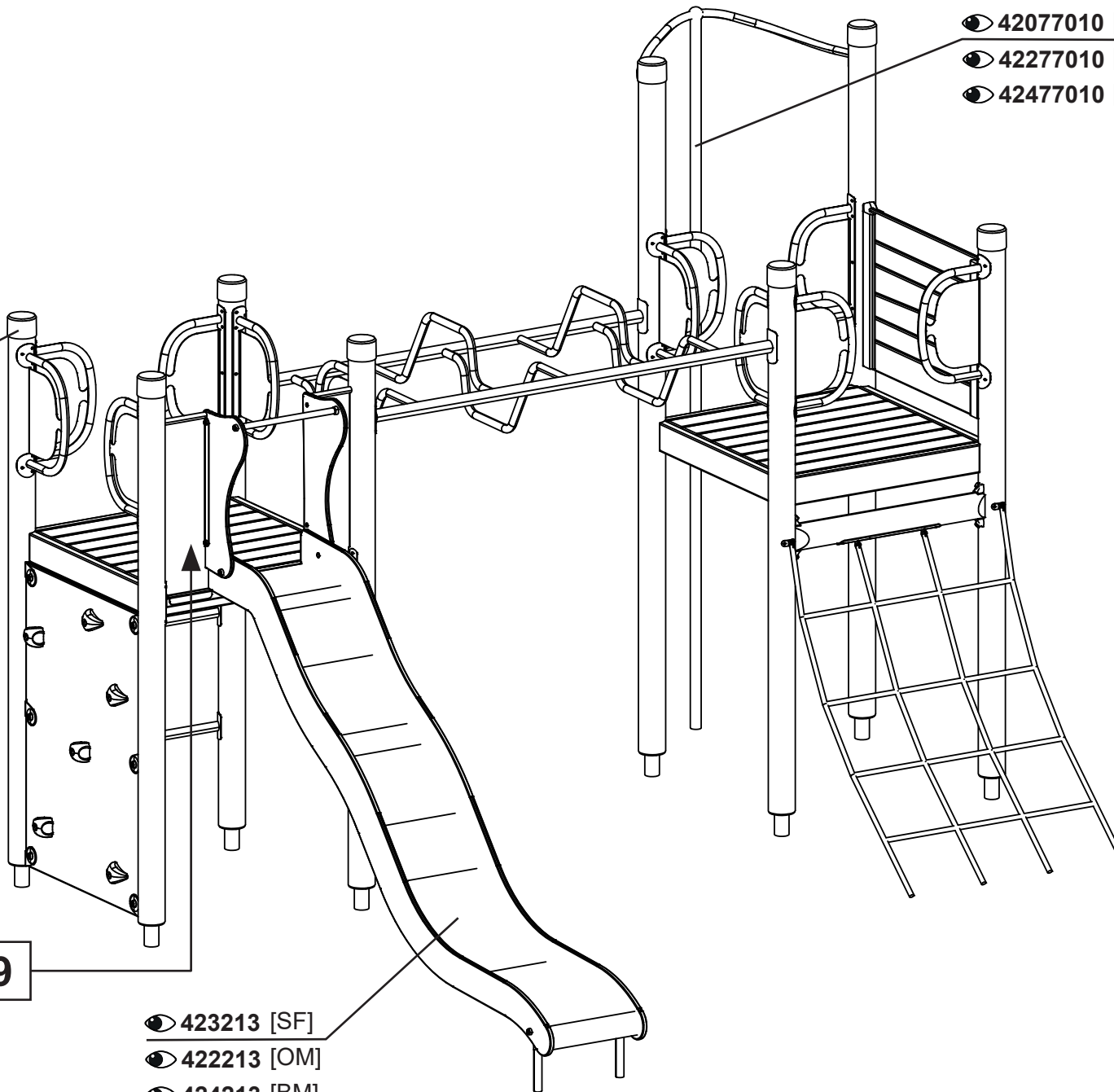
● **42074114**

● **42070310 [SF]**  
● **42270310 [OM]**  
● **42470310 [BM]**



● MASW39775  
x8

- 42077010 [SF]
- 42277010 [OM]
- 42477010 [BM]



HAGS 260329

- 423213 [SF]
- 422213 [OM]
- 424213 [BM]